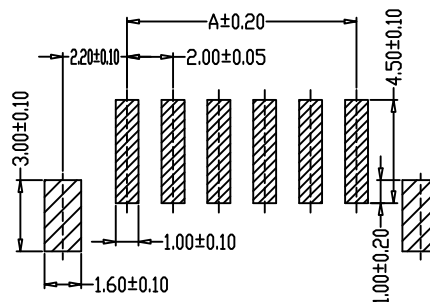
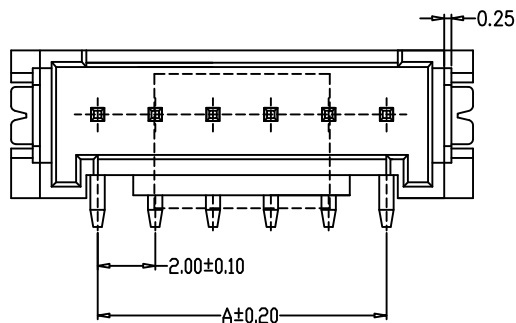
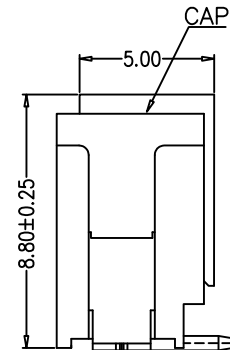
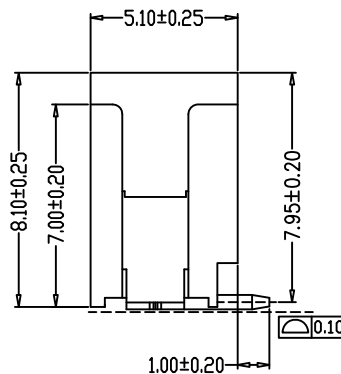
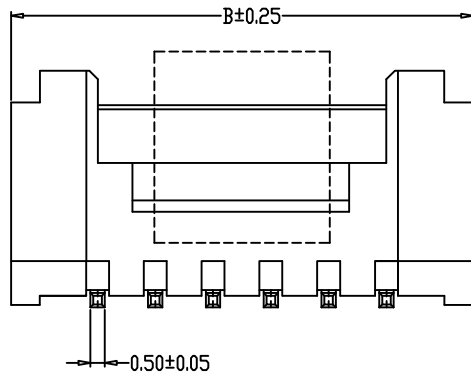


RoHS

SPECIFICATIONS

Current Rating: 2A AC,DC
 Voltage Rating: 250V AC,DC
 Temperature Range: -25°C ~ +85°C
 Contact Resistance: 20mΩ Max.
 Insulation Resistance: 1000MΩ Min.
 Withstanding Voltage: 1000V AC/minute
 Material: PIN/Solder-Tab: Brass/Tin-plated
 Wafer: LCP, UL94V-0



PCB LAYOUT

Circuits	Dimensions	
	A	B
2	2.00	8.00
3	4.00	10.00
4	6.00	12.00
5	8.00	14.00
6	10.00	16.00
7	12.00	18.00
8	14.00	20.00
9	16.00	22.00
10	18.00	24.00
11	20.00	26.00
12	22.00	28.00
13	24.00	30.00
14	26.00	32.00
15	28.00	34.00
16	30.00	36.00

REVISION RECORD

REV.	DATE	DESCRIPTION	CHANGE	APPROVE

TOLERANCE

$.0 \pm 0.25$
 0.00 ± 0.15
 0.000 ± 0.10

DRAW

DESIGN
 CHECK
 APPROVE
 VERSION

邓伟

邓伟

邓伟

HY1

SCALE

1:1
 UNIT
 SIZE
 SHEET
 PROJ.

1:1

mm
 A4
 1/1



耀聯電子科技有限公司
 UNC Electronic & Technology Co., Ltd

PART NO.

A2005WV0-S-NP

DESCRITON

2.0mm 180° Wafer(SMT)

DRAWING NO.

A2005.dwg

TEL:0769-87299998 FAX:0769-87299968 E-Mail:uniconn@163.com WEB:http://www.uniconn.cn